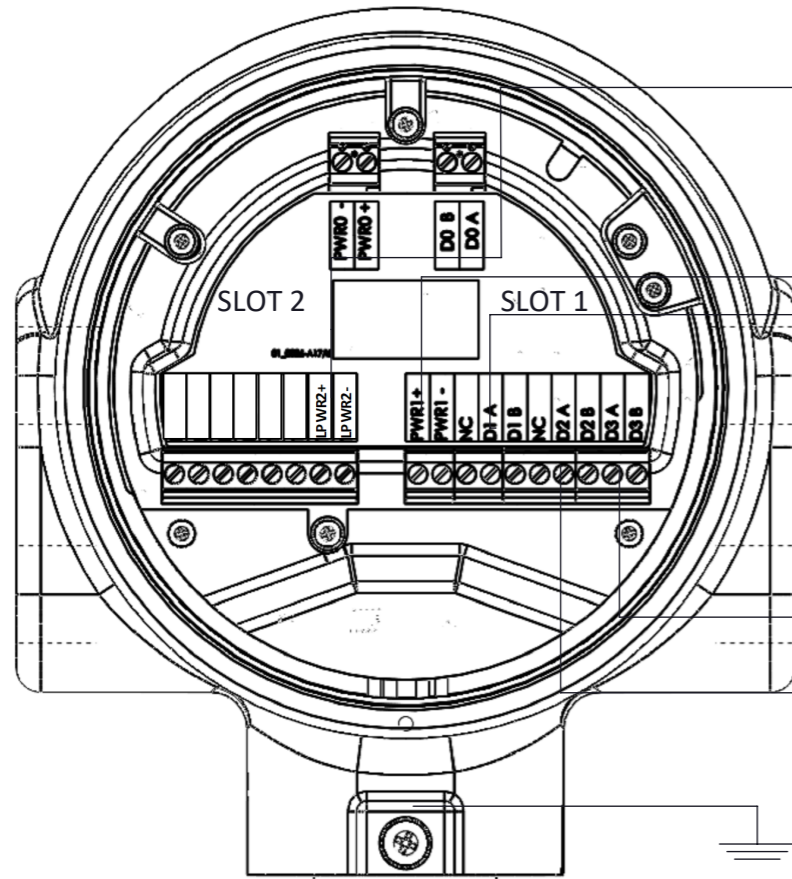
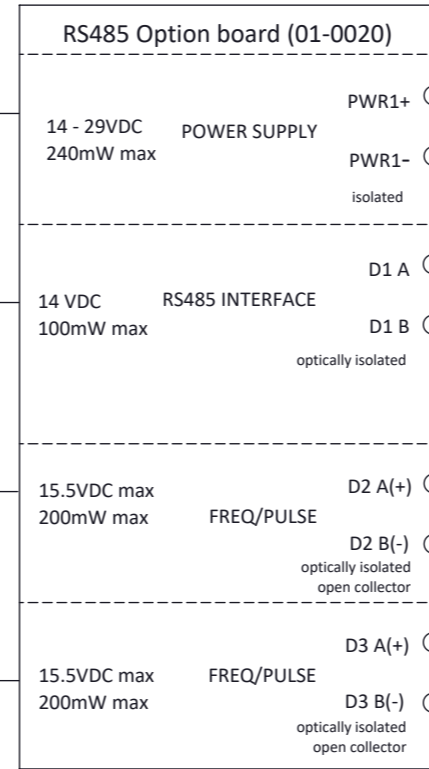
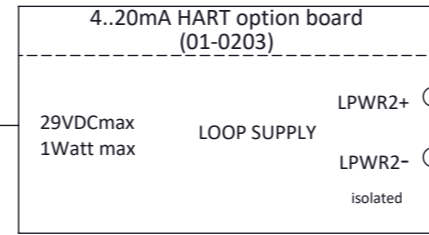


REAR VIEW



SLOT 1 FITTED WITH RS485 4..20mA option board
SLOT 2 FITTED WITH 4..20mA HART option board

UIM FLOWMETER



Warning!

EXPLOSION HAZARD
SUBSTITUTION OF COMPONENTS MAY IMPAIR SUITABILITY FOR ZONE 2

Comply with EU directive 2014/34/EU
And EN/IEC 60079-0 EN/IEC60079-11

INSTALL PER IEC 60079-14

UNLESS OTHERWISE SPECIFIED:
DIMENSIONS ARE IN MILLIMETERS
SURFACE FINISH: Ra<0.8
TOLERANCES: ACC. TO ISO/DIN 2768-mK

DEBUR AND
BREAK SHARP
EDGES

DO NOT SCALE DRAWING

REVISION DWG D-02

REVISION PRT/ASM



TITLE:
**Control drawing
ATEX/IECEX - Zone 2**

NAME	SIGNATURE	DATE	MATERIAL:
DRAWN		14-10-2021	

DWG NO.	06_0013	A3
---------	----------------	----

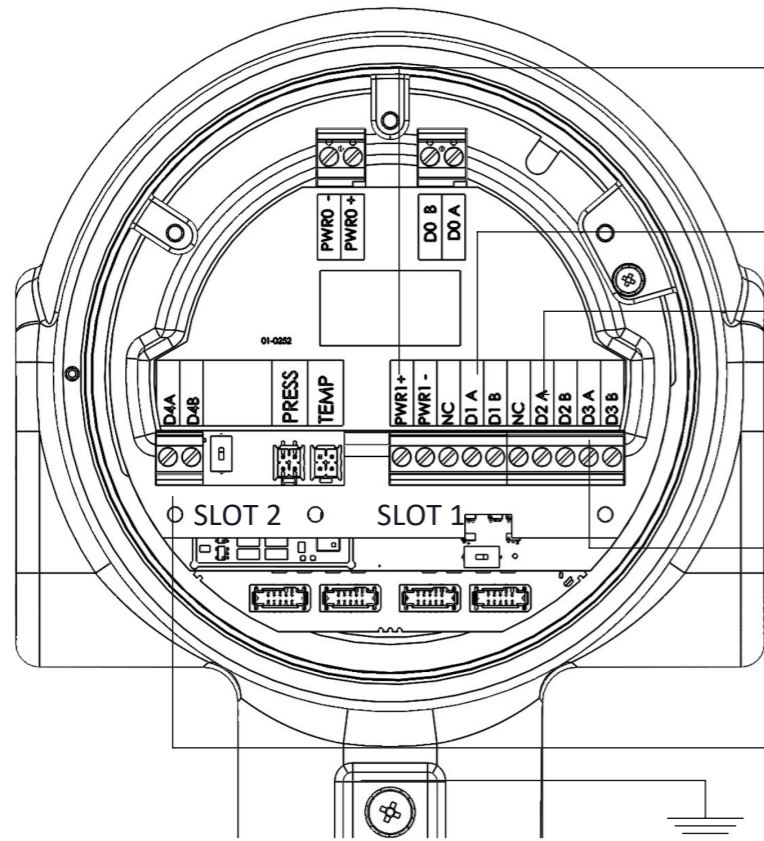
DATE PRINTED: 14-12-2021

WEIGHT:

SCALE:1:1

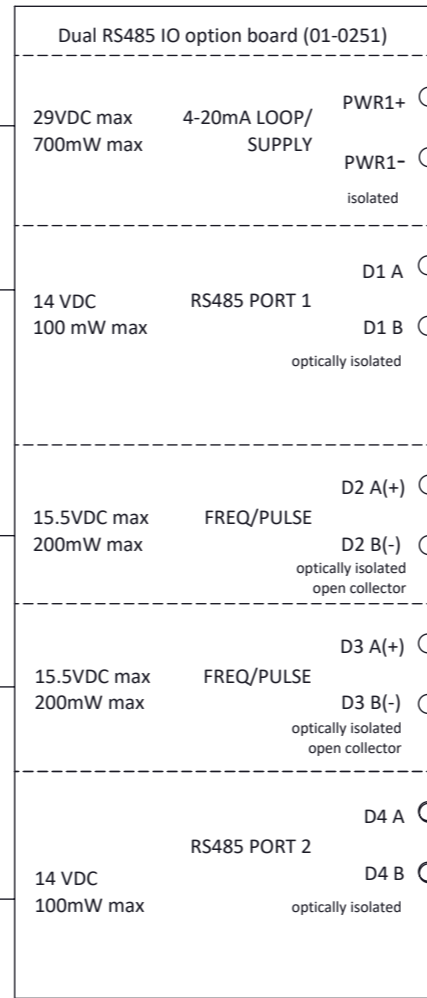
SHEET 2 OF 3

REAR VIEW

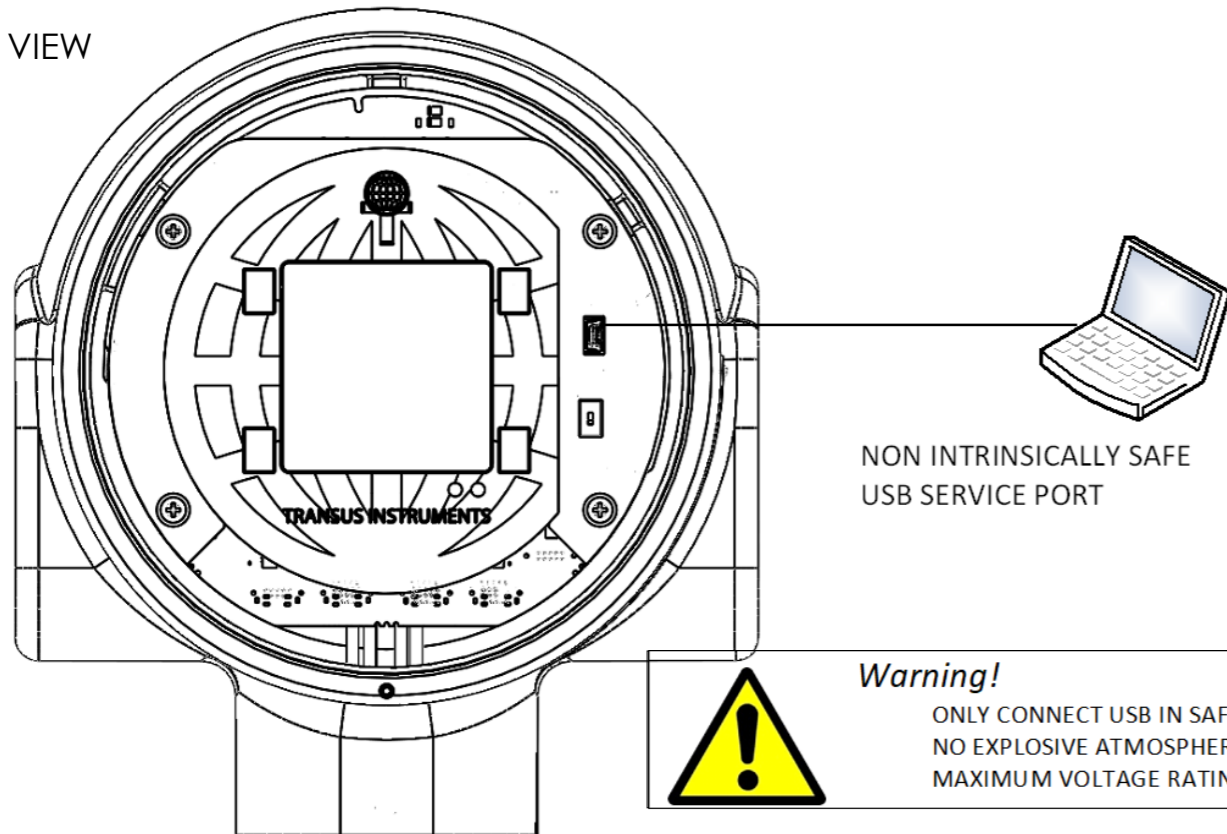


SLOT 1 AND SLOT 2 FITTED WITH Dual RS485 option board

UIM FLOWMETER



FRONT VIEW



NON INTRINSICALLY SAFE
USB SERVICE PORT

Warning!
ONLY CONNECT USB IN SAFE AREA OR ENSURE
NO EXPLOSIVE ATMOSPHERE IS PRESENT.
MAXIMUM VOLTAGE RATING $U_m = 250$ VAC

Warning!
EXPLOSION HAZARD
SUBSTITUTION OF COMPONENTS MAY IMPAIR SUITABILITY FOR ZONE 2

Comply with EU directive 2014/34/EU
And EN/IEC 60079-0 EN/IEC60079-11

INSTALL PER IEC 60079-14

UNLESS OTHERWISE SPECIFIED: DIMENSIONS ARE IN MILLIMETERS SURFACE FINISH: Ra<0.8 TOLERANCES: ACC. TO ISO/DIN 2768-mK		DEBUR AND BREAK SHARP EDGES	DO NOT SCALE DRAWING	REVISION DWG	D-02
			REVISION PRT/ASM		
		TITLE: Control drawing ATEX/IECEx - Zone 2			
NAME	SIGNATURE	DATE	MATERIAL:	DWG NO.	A3
DRAWN		14-10-2021		06_0013	
DATE PRINTED: 14-12-2021		WEIGHT:	SCALE:1:1	SHEET 3 OF 3	